

# ORDERPICKERS



**STRONG PARTNERS.  
TOUGH TRUCKS.™**

R30XM<sub>3</sub> | R30XMA<sub>3</sub> | R30XMS<sub>3</sub> | R30XMF<sub>3</sub>



# R30XM SERIES

## BETTER PRODUCTIVITY THROUGH BETTER COMFORT.

Every Hyster® OrderPicker truck comes with more than 80 years of materials handling expertise behind it. And during those 80 years, we've designed every truck with our customers in mind. The more comfortable your operators are, the more productive they are. And productivity is the bottom line for any business.

- 1-inch thick shock-absorbent floor mat and flush-mounted foot switch allow a natural stance for driving in chassis-first or forks-first position. A 32" deep operator platform is available.
- Console has a concave design that allows the operator to comfortably lean when driving in the forks-first direction, along with mounted fan for excellent upper-body ventilation.
- Adjustable multifunction control handle comes with three position adjustments that allow your operators to tailor its position relative to their preferred operating stance on the truck.
- Optional 6-inch height adjustable console dash facilitates a workstation tailored to a variety of operators.
- Superb rack visibility via a 'see-through' cantilevered grid-style overhead guard and widely spaced mast channels with rear mounted lift cylinders.
- Optional light package with high illumination spotlights for better visibility in those dimly lit areas of your warehouse.





## ■ DEPENDABILITY

- Sealed connectors on critical connections
- CANbus control system provides reduced wiring
- Thermal Management System for optimal performance
- Heavy duty frame for strength

## ■ LOW COST OF OWNERSHIP

- Low maintenance and extended service intervals
- Brushless design improves reliability
- Adjustable mast to reduce wear
- Hyster Tracker (Wireless Asset Management)

## ■ SERVICEABILITY

- CANbus controller
- Uncluttered operator compartment
- Hyster® i<sup>3</sup> Technology™
- Service and parts availability

## ■ ERGONOMICS

- 6" Vertically adjustable console
- Retractable side gates for easy operation
- Adjustable control handle enhances comfort
- Improved visibility through mast

## ■ PRODUCTIVITY

- HySense™ optimizes maximum travel speed
- Automatic Return to Center steering
- Pallet clamp provides fast order picking
- Wire guidance increases operator confidence

# DEPENDABILITY

## THERE'S NO QUIT IN A HYSTER® LIFT TRUCK.

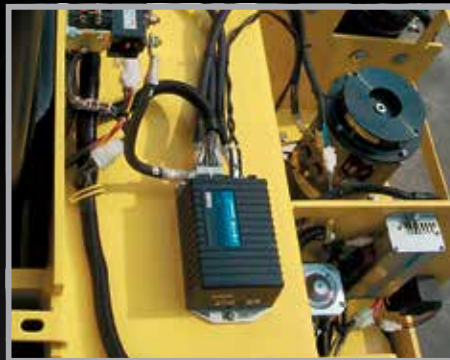
Before you take delivery of a new truck, you can be assured it's been put through a series of product proving tests and inspections before it arrives. Every Hyster® OrderPicker is built tough for years of dependability and service.

### ■ DESIGNED FOR LONGEVITY

- All critical harness connections utilize sealed connectors.
- O-ring face seals on all high pressure hydraulic connections to reduce hydraulic leaks.
- Solid state devices eliminate the use of potentiometers.
- Drip loops incorporated to keep condensation away from connectors for added reliability.
- CANbus control system reduces wiring and improves diagnostic capabilities.
- The Hyster-designed thermal management system maximizes performance during continuous operation, while preventing damage to components due to heat.
- Base arms are welded to the frame, separate from mast assembly, to provide structural strength. This unique design allows a mast to be easily interchanged. Toe cap protection on the base arms help protect load wheels from damage.
- The Hyster® pantograph is designed using finite element analysis for durability.
- Rear frame and inner arm weldments are reinforced for added strength and rigidity.



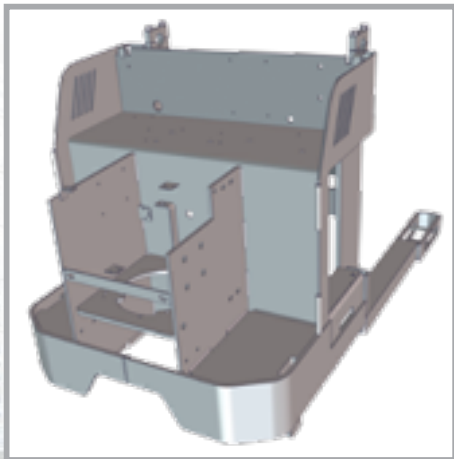
*Sealed connectors*



*CANbus reduces wiring*

## ■ HEAVY-DUTY DESIGN

- The unitized design and welded steel construction of the frame provide better rigidity and excellent protection for the internal components. The exceptional strength and durability of the frame are designed and tested using computer-generated finite element analysis.
- The exclusive VISTA™ mast provides a superior life with low maintenance costs. Stress tested, hot-rolled mast channels give you a high-load carrying capacity. Nested channel design features durable, dual lift cylinders positioned behind channels for protection. Chrome plated cylinder rods resist corrosion and scoring. Side thrust wear plugs allow mast adjustment without the need for mast removal.



*Heavy duty frame design*



*Leak free O-ring face seals*



# LOW COST OF OWNERSHIP

## MORE BANG FOR YOUR BUCK.

The superior design of Hyster® OrderPicker trucks helps to lower your cost of ownership and increase productivity. Extended maintenance intervals, along with longer brake and tire life, all play a part in lowering the overall operating costs. Our trucks are designed and tested to stand up to your toughest applications, minimizing service interruptions and saving you money.

### ■ LOW COST OF OPERATION

- Commutating brushes are eliminated with the use of the AC traction and hoist motors.
- Brushless design of the traction, hoist and steer motors provides improved reliability and extended maintenance intervals.

### ■ ADJUSTABLE MAST

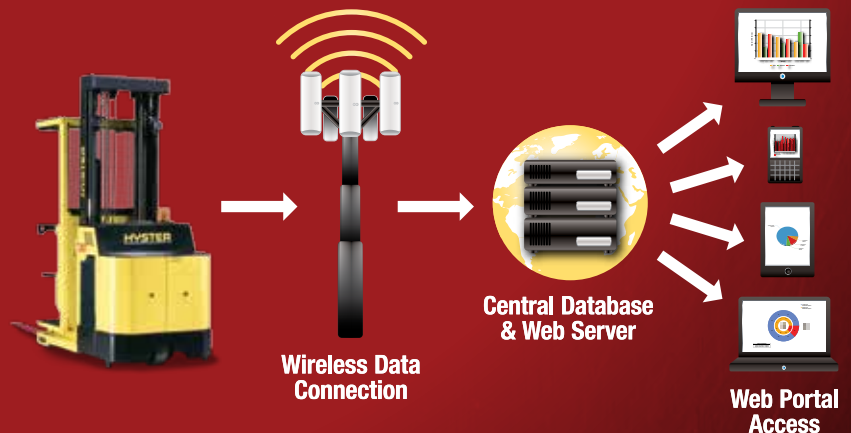
- Side thrust adjustable mast allows technicians to quickly and easily adjust all mast channel rollers in the field to compensate for wear.
- Adjustment can be accomplished without special tools or mast disassembly.
- Trunnion mounted mast allows for simple mast removal saving both time and money.



Side thrust adjustable mast

## HYSTER TRACKER - WIRELESS ASSET MANAGEMENT

Take your fleet operation to the next level with wireless asset management from Hyster. Hyster Tracker provides a scalable solution for fleets. From monitoring truck utilization to limiting operator access, Hyster Tracker allows you to track your fleet at your fingertips.



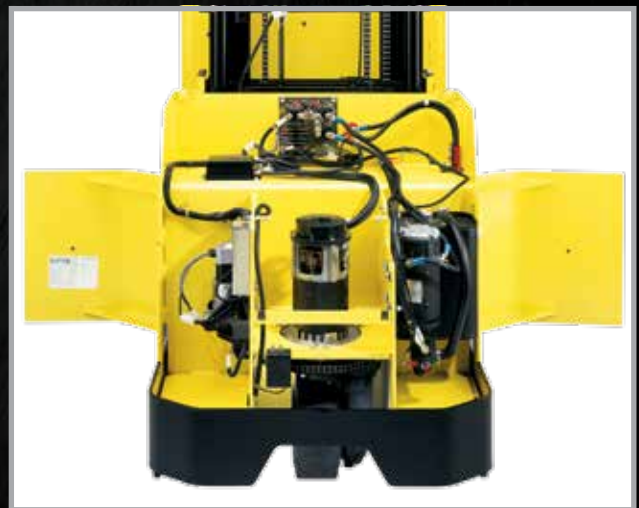
## ■ SUPERIOR SERVICEABILITY

The OrderPicker utilizes Hyster® i<sup>3</sup> Technology™ CANbus communications to simplify wiring and improve serviceability. Hyster® i<sup>3</sup> Technology™ integrates commonality among Hyster warehouse products and simplifies the way in which operators and technicians alike handle and service the truck. The integrated Intelligent Interface ties together functionality, software, diagnostic codes, similar interfaces and is Hyster Tracker compatible.



## ■ FEWER PARTS FOR MAXIMUM UPTIME

Through ongoing design enhancements, our OrderPickers offer improved efficiency and reliability, along with quick, easy access to the serviceable areas. A view of the OrderPicker's motor compartment reveals uncluttered access with fewer components. Fewer parts means less to service and helps to maximize truck uptime while minimizing your cost of ownership. And our side thrust plugs on the mast help simplify mast adjustments. All trucks come with a 12 month / unlimited hours full truck warranty, and 3 year / 6,000 hour powertrain warranty lifetime frame warranty.



*Uncluttered Access*

## ■ SUPPORTING CUSTOMERS WITH WORLD-CLASS PARTS & SERVICE

Four Parts Distribution Centers strategically located around the world provide a full range of original equipment and aftermarket parts that help maintain our customers' uptime. In fact, our Guaranteed Availability Program ensures that parts for all lift trucks within two years of age are available within 24 hours, 100% of the time.\*

We also take that commitment into the field with the Hyster CERTECH® Certification training program. This technical training program provides both systems level as well as product-specific education to ensure lift trucks are repaired right the first time.



\* Contact your local dealer for program details.


# SUPERIOR ERGONOMICS

## BUILT FOR COMFORT.

Hyster® OrderPickers are designed for a comfortable ride and made to fit operators of various sizes with a truly flexible operator compartment. A low step height, a wide cushioned floor, a foot switch position that promotes a natural stance and a one-inch thick padded rubber floor mat enhance comfort and ease of movement.

### ■ SUPERIOR OPERATOR CONTROL

- Vertically adjustable console is optional on all models and offers 6" of vertical height adjustment to accommodate a wide range of operators, while the optional console-mounted fan provides upper body ventilation for improved comfort.
- Spring assisted adjustable side gates for simple one hand operation. The ease of operation provides quick access to and from the operator's compartment. Side gate interlock switches are provided to disable lift/lower and traction control while side gates are raised.



The work station features a low step height, wide cushioned floor and a one-inch thick padded rubber floor mat for supportive comfort.





*Flush-mounted foot switch allows for a natural operating stance*



*Low step height for easy compartment entry/exit*

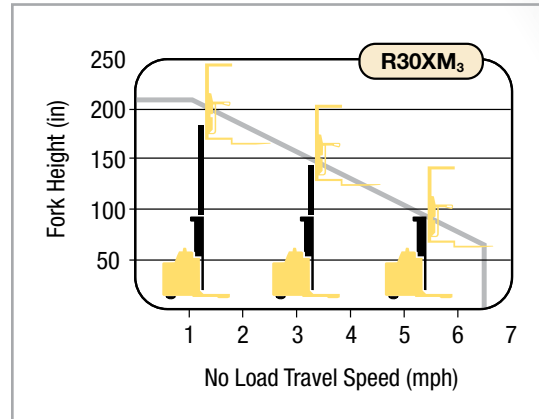
*Clear visibility through the mast with safety glass windshield.*



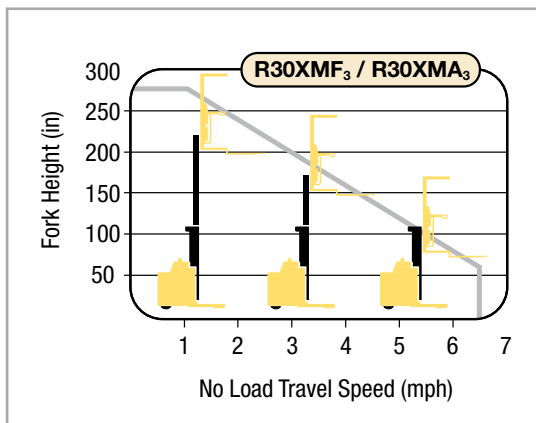
# ENHANCED PRODUCTIVITY

## INCREASED PRODUCTIVITY. BOTTOM LINE.

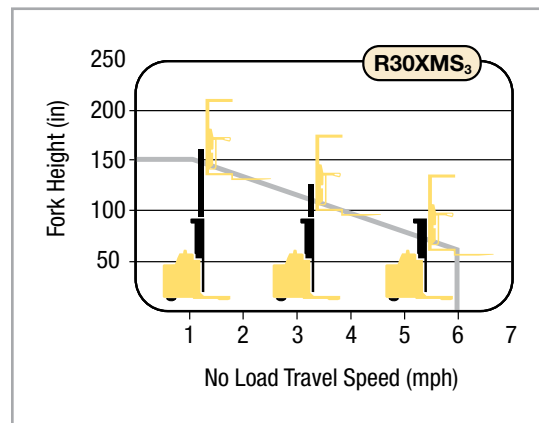
To increase your speed, efficiency and productivity, our OrderPickers are equipped with the HySense™ continuous height-sensing control system. It replaces the “step-downs” at preset intervals with smooth, gradual linear speed reduction that is barely noticeable to your operators. This enables a more refined braking action while traveling at extended heights, bolstering confidence and productivity. And productivity is the bottom line for any business.



*Travel height above 212" is optional.  
Capacity reduction required.*

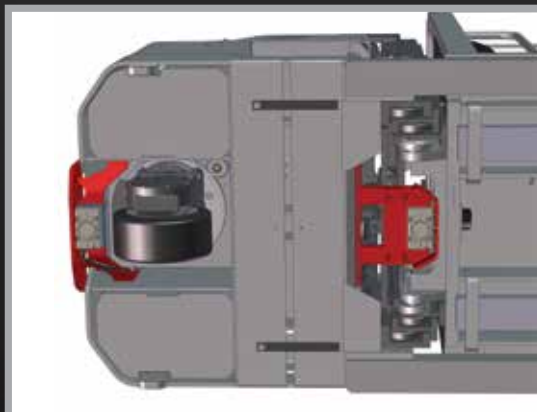


*Travel height above 272" is optional.  
Capacity reduction required.*



*Travel height above 150" is optional.  
Capacity reduction required.*

*Note: Steer angle on all models are < 10°.*



## WIRE GUIDANCE SYSTEM

Our wire guidance system lets the operator focus on the pick task without worrying about steering. It holds the wire firmly, giving the operator the security to achieve high pick rates. The supported wire frequencies include 5.2 kHz or 6.25 kHz and are user-selectable through the dash setup menu. Antennas are adjusted through truck software instead of having to manually move the antennas themselves.



*Steer tiller handle position and steer effort are adjustable to help reduce operator fatigue.*



*The multi-function control handle can be rotated to one of three positions for a comfortable operating stance.*



*The pallet clamp automatically centers and grips the pallet to allow fast, easy order picking.*



# PERFORMANCE OPTIONS

## FOUR MODEL CONFIGURATIONS TO MEET YOUR APPLICATION NEEDS.



### R30XM<sub>3</sub>

**Heavy duty counterbalance**  
Heights to 300"  
24V system (optional 36V)  
AC drive and optional AC hoist

Variable lift speed control  
Maximum travel speed: 6.5 mph  
Maximum lift speed: 67 ft/min  
Maximum lower speed: 80 ft/min

### R30XMA<sub>3</sub>

**Straddles loads**  
Heights to 360"  
24V system (optional 36V)  
AC drive and optional AC hoist

Variable lift speed control  
Maximum travel speed: 6.5 mph  
Maximum lift speed: 67 ft/min  
Maximum lower speed: 80 ft/min



### **R30XMS<sub>3</sub>**

#### **Standard duty counterbalance**

Heights to 240"

24V system

AC drive and DC hoist

Single lift speed control

Maximum travel speed: 6 mph

Maximum lift speed: 40 ft/min

Maximum lower speed: 52 ft/min



### **R30XMF<sub>3</sub>**

#### **Loads up to 96" long**

Heights to 360"

24V system (optional 36V)

AC drive and DC hoist

Variable lift speed control

Maximum travel speed: 6.5 mph

Maximum lift speed: 67 ft/min

Maximum lower speed: 80 ft/min

# INNOVATIVE TRUCKS ENGINEERED TO MEET THE MOST DEMANDING APPLICATIONS

For more than 80 years, Hyster has been conquering the world's most demanding applications. In the 1920's Hyster started as a manufacturer of lifting machines used in the rigorous logging industry of the United States' Pacific Northwest. A few years later the first forklift trucks were invented and the Hyster® brand quickly gained its reputation for rugged quality. Hyster® lift trucks are designed to lower your cost of operations. Every truck we make — gasoline, LPG, diesel and electric — is purpose-built to excel in its application. Every truck is also backed by an unmatched network of specialists.



**Dealer Network** — Through our Dealer Network, we can offer the expertise of fleet managers, parts suppliers, capital procurement specialists and trainers. Hyster's carefully chosen dealers — and the people they employ — fully understand customer applications, assist in selecting the right lift truck and provide fast, reliable support after the sale.



**Hyster Fleet Services** — Even if you operate other brands, we can manage your maintenance and replacement plan. We can offer complete fleet analysis, fleet history summary and a cost-effective proposal for replacement and scheduled maintenance.



**Parts** — With genuine Hyster® replacement parts and UNISOURCE™ parts for all makes of lift trucks, we are your one-stop source for lift truck parts. In fact, we offer more than 2 million part number crosses for most brands of materials handling and other in-plant mobile equipment.



**Rental Products** — When leasing or buying isn't a practical option, we have access to more than 14,000 units for short- and long-term rental. We'll help you maintain output in a cost-effective manner.



**Hyster Capital** — We can arrange solutions for special financing requirements, taking the difficulties out of buying the equipment you need. Whether you purchase or lease a new or used lift truck, Hyster Capital offers superior service and competitive rates.



**Special Products Engineering Department (SPED)** — Different materials require different handling. That's why we can work with you to customize your lift trucks. From strobe lights to specially made forks, SPED has the tools to help you get the job done right.



**Operator Training** — Proper education in operating lift trucks minimizes the risk of injuries due to accidents while increasing productivity. Hyster offers OSHA-compliant materials that support the training of qualified operators.




**Service** — Your local Hyster® dealer offers a flexible, customized and comprehensive maintenance plan based on each lift truck's application, make, model and operation environment. Hyster service programs offer scheduled inspections and maintenance, and when you need immediate service on a fleet or single truck, your local dealer offers quick, responsive service dispatched to your location.





Hyster Company  
P.O. Box 7006  
Greenville, North Carolina  
27835-7006  
Part No. R30XM/B  
7/2015 Litho in U.S.A.

Visit us online at [www.hyster.com](http://www.hyster.com) or call us at **1-800-HYSTER-1**.

Hyster, and  are registered trademarks of Hyster Company.  
Hyster products are subject to change without notice.

All trucks shown with optional equipment. © 2015 Hyster Company. All rights reserved.